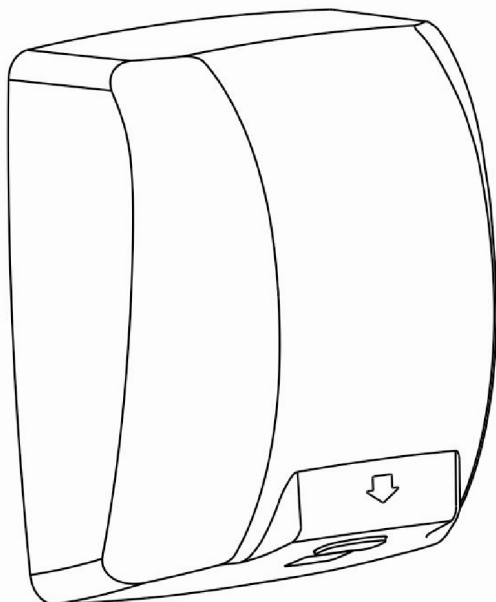


# HAND DRYER

## Operation instruction



### Contents

Features .....	1
Technical parameters.....	1
packing list and parts name.....	1-2
Note before installaton.....	2
Method of Installation.....	3-4
usage.....	4
matters need attention.....	5
Warning.....	5
terms of guarantee.....	5
Troubleshooting .....	6

Dear customer:

Thanks for your purchase of my company's products. Please read this instruction before installation and keep it for installation and usage or any other further reference.

## FEATURES

This machine is designed by professional industrial design company. The outward appearance is exquisite, it has smooth line and nice looking. A working indicating lamp is equipped on the panel, it is beautiful and practical.

The panel of this machine is stainless steel 304 and the base is metal, the instruction is solid

This machine has outstanding performance with chip control technology and infrared sensor. It also equipped with spotlight on the sensor.

This machine is equipped with infrared sensor, it will work automatically when put your hands under the sensor, and stop automatically when take away your hands. Effectively reduce the unnecessary waste

This machine equipped with one-piece high speed motor, 24000 RPM. It can dry hand hands in 7–10 seconds.

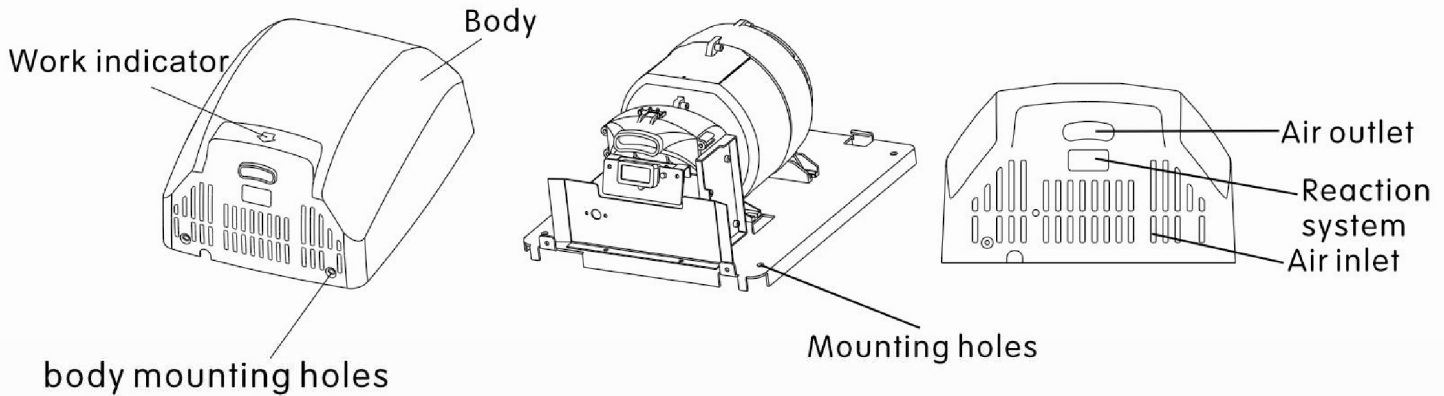
It has multifunctional protection to extremely–high temperature, extra –long time and super high current. Effectively prevent the occurrence of accidents

## TECHNICAL PARAMETERS

Rated voltage	AC220-240V	Grade of waterproof	IPX1
Rated frequency	50/60Hz	Wind speed	80m/s
Rated power	1800W	Sensing distance	12±3cm
Moter power	600W	Drying time	7-12S
Ambient temperature	0-40°C	Installtion	wall mounting
Way of heating	heating wire	Overall size	325×278×171

## PACKING LIST AND PARTS NAME

Body: 1pcs	Screw: 4pcs
Expansion pipe: 4pcs	Hex wrench: 1pcs
Instruction: 1pcs	Warranty card: 1pcs
The power cord:1pcs	



## **NOTE BEFORE INSTALLATON**

### **⚠ Warning**

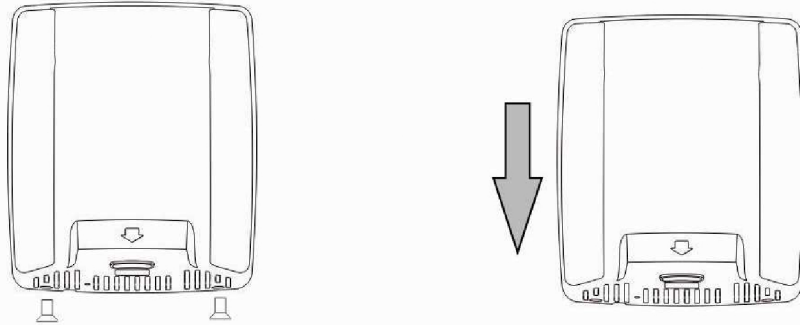
1. Do not fix it in the place with water or water vapor in surface, do not install in the bathroom which with heavy moisture, in order to avoid electric shock.
2. You must commission professional electrician to install power lines, or else it has electric shock hazard.
3. You must cut off power before operation and ensure the protection no power.
4. The machine must be installed in clean indoor. Please use power: 220V-240V, 50/60Hz.
5. Requests to install leakage circuit breakers or protection against fire hazards,
6. Do not decompose, repair or any alteration of this machine without authorization, otherwise there is a risk of electric shock, fire and other accidents.

### **⚠ Attention**

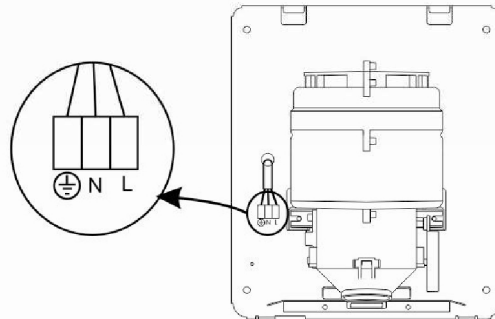
1. To ensure that no other things in the outlet around 400mm. Meanwhile, do not install it above the stainless steel or artificial marble such shining surface location, otherwise prone to misoperation.
2. The body should be firmly fixed to the smooth wall to avoid injuries caused by the decline of product or product damage.
3. Do not install the products in such place with corrosive or flammable gases or objects, it may cause fire or product failure and malfunction.
4. Do not install the products in such environment with multi dust or in high temperature, it may cause product damage.

## METHOD OF INSTALLATION

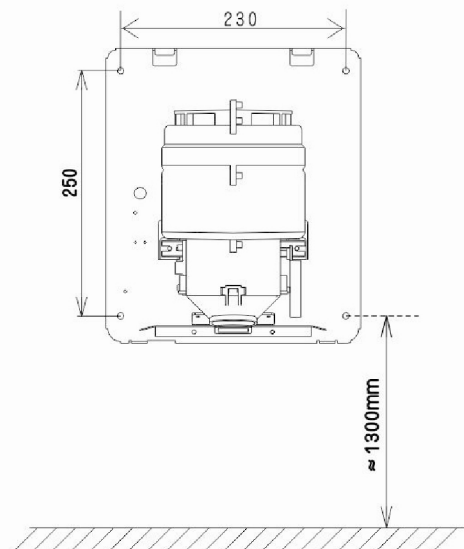
1. Take off the two screws on the bottom of the panel with the hexagon wrench in the attachment, push down the panel and take off it.



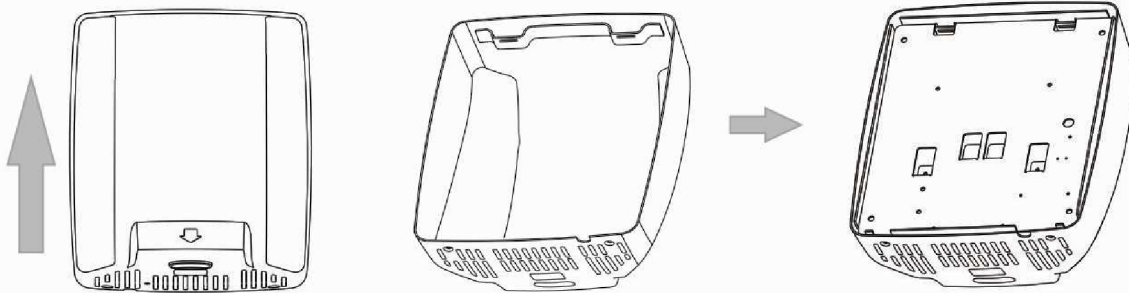
2. Please pass the power line through the hole in the base, and put power line into the connector with with a flathead screwdriver. See the drawing. fix the plug cable to the back of the back plate by cable clamp .



3. Drill four holes on the wall where the hand dryers will be installed, the diameter of the hole is 7mm and the deep is 40mm. Put in the expansion pipe into the hole. Then fix the machine on the wall with screws.



4. Buckle up the panel with the machine. push up slightly to confirm the hook which is on the base has snapped into the hole which is on the panel. Fix the screws which have been taken off in Step.



## USAGE

---

1. Put hands on the below of outlet, the machine will work automatically, warm air comes out. Take away when finished drying hands, the machine will stop working automatically.
2. The machine equipped with a working status indicator, it will be green when plug in the power, it will be red when the sensing worked. It will identify a simple mechanical failure or line failure.
3. The machine also equipped with a sensing light. The sensitive area will become blue when sensing worked. If the hands not in the spotlights illuminated area, the machine will stop working.
4. The machine equipped with extra-long time protector. Single longest working time is 60 seconds. More than 60 seconds, the machine will stop working automatically. If you need to continue to drying hands, please induction it again.
5. Its better to swing away the droplets before you drying hands and rubbing hands when drying. It will help to reduce the drying time and saving energy.

## MAINTENANCE

---

- 1, Please cut off the power and clean the shell with natural detergent when it is dirty. The acid and alkaline bathroom detergent and BEN, lacquer thinner, abrasive etc are forbidden. Besides, do not use nylon brush such friction tool clean it avoiding be scratched.
- 2, It's better to cut off the power when off duty, to extend the service life;
- 3, If the power software cord is damaged, it should be replaced with specialized software or buy components from factories or dedicated maintenance.
- 4, If the machine breaks down, cut off the power quickly and stop work, please commission the professional to repair it.;
- 5, If long time no use of this machine, please cut off the power, and store it in clean and dry indoors with sealed after cleaning.

## **MATTERS NEED ATTENTION**

---

1. Do not pull the power lines or cover it with clothing items, or put burning cigarette on the body, in order to avoid fires or other accidents.
2. When mentally handicapped person and children use the machine, the guardian must be their side, or it could be dangerous.
3. Please do not use wet hands to plug on or plug off switch and power lines, avoiding electrical shock
4. When Maintenance you should prevent the water drop into the machines, in order to avoid electric shock or short circuit.
5. Do not put wet clothes on the mouth

## **WARNING**

---

1. It is forbidden to use your hands or other matter to block up the spout, or use extension matter like iron wire to insert the in the spout.
2. It is forbidden to use your hands or other matter to block up the spout, or use extension matter like iron wire to insert the in the spout.
3. Do not decompose, repair or any alteration of this machine without authorization, or put burning cigarette on the body, otherwise there is a risk of electric shock, fire and other accidents.
4. If the power software cord is damaged, it should be replaced with specialized software or buy components from factories or dedicated maintenance.

## **TERMS OF GUARANTEE**

---

- 1, The product warranty period is one year.
- 2, The service within warranty period for products, which came into effect from the date of buying the machine.
- 3, Within one year after purchasing, consumers find the machine failure caused by the product itself reason, then they can go to the purchasing place to maintenance and replace the machine for free with original invoices and completed and the quality assurance card stamped by dealers.
- 4, The following are not in the scope of free maintenance:
  - ◆ Improper use and the fault caused by demolition, alteration and repair by technical persons without our company authorization.
  - ◆ Fires, earthquakes, thunder and other natural disasters cause faults, and abnormal voltage causes the faults.
  - ◆ The faults caused by non matching power.
  - ◆ The faults caused by long time operation in bad working condition.
  - ◆ Not quality assurance card or the cards is flit not explicitly or correctly.
- 5, Over warranty period or it is not free maintained products, while our company remains committed to serving.

## TROUBLESHOOTING

If the following problems occur, Please perform checks and fix:

Problem	check	action
No air comes out when hands are inserted	Does the display indicators lights up?	Turn the ground -fault circuit breaker(Residual Current Device) on, check if the plug is connect well with the socket.
	Are you putting your hand far away the sensing area	Put your hand below the air outlet about 8-12MM
The unit does not stop working	Is the sensor blocked by some object or dust?	Turn the power switch off, and then, after all the lamps in the display have gone off, remove the dust matter.
	Induction zone below 400 mm range have smooth surface and reflective body or other obstacles?	Remove smooth body and obstacles, when installation, don't get close to have smooth surface and reflective body
	Is there any other nearby power electrical interference?	Remove other interference
No hot air comes out	Is the heater Connecting cable bad contact?	Rewiring
	Is the Thermal fuse or thermostat been damaged?	Cut the power ,change the thermal fuse or thermostat.
Air volume smaller	Check if the voltage is normal?	Please use this product rated voltage.
	Check if the air inlet by foreign bodies blocked?	Clear foreign body or replace motor

If the above actions do not work ,turn off the power and call your dealer to inspect and repair it if necessary.(costs are as per agreement with the dealer)