



CONTEMPORARY DRINKING FOUNTAINS

GR Series

MODEL GRQ45
PEDESTAL MOUNTED
DRINKING FOUNTAIN

STANDARD FEATURES

- Both Child and Adult ADA Compliant (when properly installed)
- Resistant to sunlight, heat, moisture and wear
- 18 gage, 304 stainless steel bowl
- 12 gage, heavy duty stainless steel, corrosion and scratch resistant finish
- Polished stainless steel, anti-rotation non-squirt bubbler
- 100 mesh inlet strainer
- Access door, heavy duty stainless steel, vandal resistant
- Vandal resistant stainless steel bottom plate

SUGGESTED SPECIFICATIONS

Model GRQ45 is a barrier free pedestal mounted, vandal resistant, tri-level round drinking fountain made from 18 gage, 304 stainless steel bowls mounted into a green powder coated 12 gage, heavy duty stainless steel pedestal. Unit shall be activated by front mounted self-closing buttons, by using less than 5 pounds of force, which activates internally mounted valves with adjustable stream regulators controlling the water flow. Bubblers shall be polished stainless steel with non-squirt features and operate on water pressure range of 20-105 psig. Fountain is certified to ANSI A117.1, Public Law 111-380 (NO-LEAD), CHSC 116875 and NSF/ANSI 61, Section 9. Fixture meets ADA, ADA Standing Person, and ADA Child requirements when mounted appropriately.



MODEL:
(Must Specify)

- GRQ44 Satin stainless finish
- GRQ45 Green powder-coated (Shown)
- GRQ46 Red powder-coated
- GRQ47 Blue powder-coated

Custom color finishes available upon request

OPTIONS

(additional costs may be incurred)

- FRU3 Freeze resistant, 3 valves ¹
- FRU4 Freeze resistant, 4 valves ¹
- FS Foot spray
- HB1 Hose bibb, compression, with hose threaded outlet/VB ^{1 2}
- HB2 Hose bibb, loose key, with hose threaded outlet/VB ^{1 2}
- HB3 Hose bibb, loose key, vandal resistant, with hose threaded outlet/VB ^{1 2}
- IGM In-ground 14" mounting
- JF1 Jug filler, spigot, self-closing valve with plain end ^{1 2}
- JF2 Jug filler, pushbutton, self-closing valve with plain end ¹
- NP3 Non-pollutable, freeze resistant, 3 valves
- NP4 Non-pollutable, freeze resistant, 4 valves
- PF Pet fountain receptor ¹

Options Notes:

¹ See separate option sheet.

² This option is not available freeze-resistant.

Complies with the following standards:



Member of
U.S. Green
Building
Council



Recyclable
Product



Water
Conserving
Product

WARNING: Cancer and Reproductive Harm - www.P65Warnings.ca.gov

MURDOCK MFG. • 15125 Proctor Avenue • City of Industry, CA 91746 USA
Phone 800-453-7465 or 626-333-2543 • Fax 626-855-4860 • www.murdockmfg.com

Member of
MORRIS GROUP
INTERNATIONAL



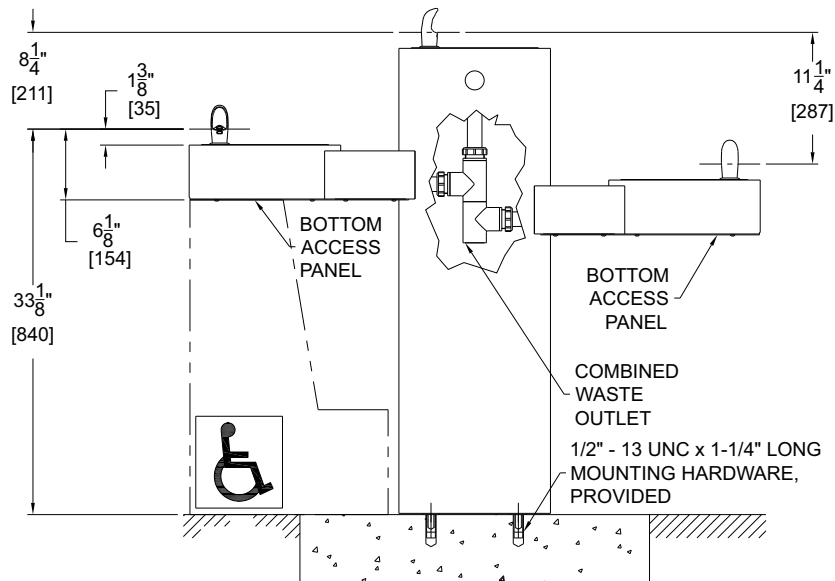
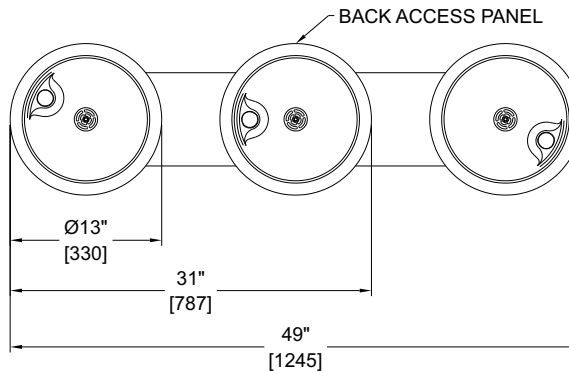
CONTEMPORARY DRINKING FOUNTAINS

GR Series

MODEL GRQ45

BARRIER FREE, TRI-LEVEL,
PEDESTAL MOUNTED
DRINKING FOUNTAIN

* Valve specifications:
Minimum/Maximum Pressure
30 to 100 psi.



- GENERAL NOTES:
1. ALL DIMENSIONS ARE IN INCHES [MM].
2. STOP VALVE NOT PROVIDED.

Murdock Mfg.™ warrants that its products are free from defects in material or workmanship under normal use and service for a period of one year from date of shipment. Murdock's liability under this warranty shall be discharged solely by replacement or repair of defective material, provided Murdock™ is notified in writing within one year from date of shipment, F.O.B. Industry, California.

SELECTION SUMMARY & APPROVAL FOR MANUFACTURING	Model Number & Options _____	Quantity _____	All dimensions are subject to manufactures tolerance of plus or minus 1/2" nominal and subject to change without notice. Murdock assumes no responsibility for use of void or superseded data. Dimensions may change with the addition of optional accessories. Murdock Mfg.™, Member of Morris Group International™. Please visit www.murdockmfg.com for most current specifications.
	Company _____		
	Contact _____	Title _____	
	Signature (Approval for Manufacturing) _____	Date _____	

MURDOCK MFG. • 15125 Proctor Avenue • City of Industry, CA 91746 USA
Phone 800-453-7465 or 626-333-2543 • Fax 626-855-4860 • www.murdockmfg.com

Member of
MORRIS GROUP
INTERNATIONAL