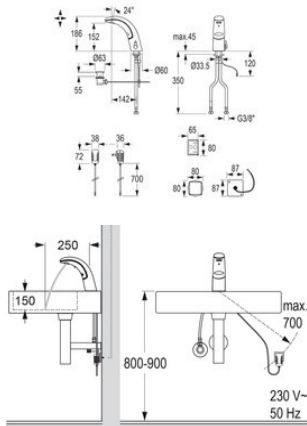


## iQ lavatory faucet A10, IR-sensor, temp. mixing, Click, battery, without drain assembly, chrome



Touchless, electronically controlled lavatory faucet:

- Modular single-piece design without separate installation box, sturdy metal housing, chromed
- infrared sensors (with automatic setting feature), microprocessor
- Reliable solenoid valve ROBUST (minimal level of water pressure surge) and economic aerator
- Hot and cold water supply connection with flexible high-pressure hoses
- Check valves and built-in filters
- Temperature adjustable or fixable (vandal-resistant construction)
- Adjustable hot water limitation (mechanically)
- Temporary-off (cleaning) and continuous water flow time (filling of basin) activated by Click-plus
- Continuous water flow time and hygienic flush time adjustable with function key
- Follow-up time and sensor sensitivity adjustable with function key
- 12, 24 or 48-hour hygienic flush activatable with function key
- Installation similar to conventional single-lever faucet
- Compatible with CNX and Service Monitor: control of stored operational data, settings and control functions

Use: IR-sensor, contact-free activation

Mixture: temp. mixing, with mixing lever for temperature regulation

Function key: Click, counter-sunk Click - without optional features

Power supply: battery, 6V Lithium 2 CR5 (standard: life time up to 4 years)

Drain assembly: without drain assembly

Colour: chrome

Operating pressure: 0,3-10 bar

Flow rate: Approx. 6 l/min / 1,6 gpm (3 bar)

Max. water temperature: 80 °C

Aerator: Economic aerator, CASCADE (self-cleaning)

Flexible hoses: 350 mm

Angle valve connection: G 3/8

Built-in filters: 0,5 mm mesh size

Sensor-sensitivity: Automatic self-adapting sensor technology

Follow-up time: 1 sec. pre-set (adjustable with function key 0-10 sec.)

Continuous water flow and hygienic flush time: 2 min. pre-set (adjustable with function key 0,5-20 min.)

Temporary-off: 2 min. (fixed)

Engineering standards: DIN EN 200; Noise class I; P-IX 9576 / IA;CE