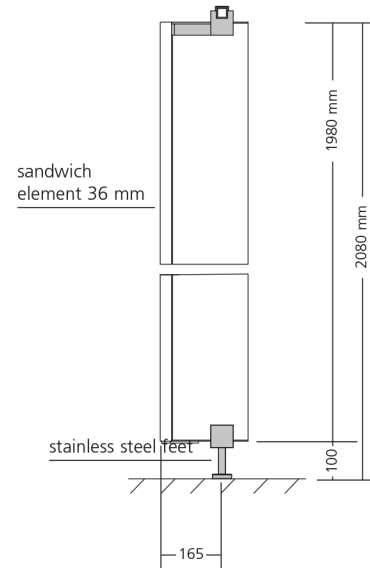
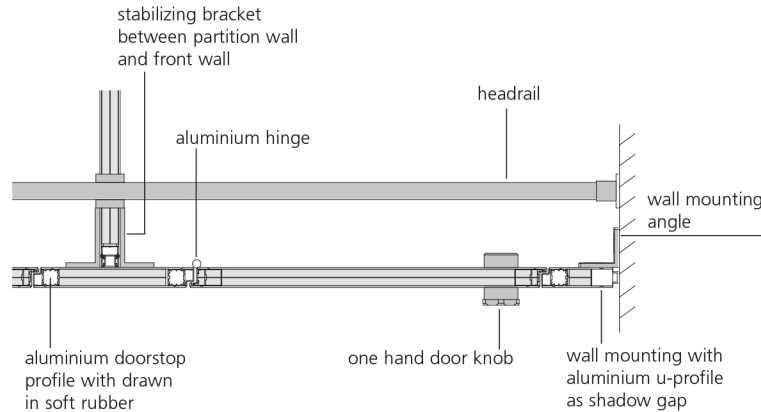


## Cubicle type EF-3 JUMP

## Section drawing



For a floating appearance, the connecting parts must be stably attached to the front. Please note our special technical information.